

INSTALLATION INSTRUCTIONS

ZJ7000 and ZW9000
Electric Warming Drawer

MONOGRAM

Safety Information

BEFORE YOU BEGIN

Read these instructions completely and carefully.

■ **IMPORTANT** — Save these instructions for local inspector's use.

■ **IMPORTANT** — Observe all governing codes and ordinances.

■ **Note to Installer** — Be sure to leave these instructions with the Consumer.

■ **Note to Consumer** — Keep these instructions with your Owner's Manual for future reference.

■ **Completion Time** — 1 to 3 hours.

■ Proper installation is the responsibility of the installer. Product failure due to improper installation is not covered under the warranty. See Owner's Manual for warranty information.

■ Use this appliance only for its intended purpose.

■ Check with local utilities for electrical codes that apply in your area. Local codes vary. Installation electrical connections and grounding must comply with applicable codes. In the absence of local codes, the drawer should be installed in accordance with National Electrical Code ANSI/NFPA 70-1990 or latest edition.

⚠ WARNING

■ This appliance must be properly grounded. See "Grounding the Appliance."

■ Insure that the power cord does not contact the hot surface on the bottom of ovens, cooktops, or other appliances.

■ If you received a damaged warming drawer, you should contact your dealer

For Monogram local service in your area, 1.800.444.1845.

For Monogram Service in Canada, call 1.800.561.3344.

For Monogram Parts and Accessories, call 1.800.626.2002.

⚠ WARNING

An anti-tip brace must be installed to prevent the drawer from tipping forward when opened and loaded. Failure to do so could result in personal injury.

Design Information

CONTENTS

Design Information

Models Available	3
Accessories	3
Product Dimensions	4
Grounding the Appliance	5

Installation Preparation

Tools and Materials Required	6
Remove Packaging	6
Installation Options.....	7
Installation Below a Countertop	8
Provide Cabinet Support.....	9

Installation Instructions

Step 1, Anti-Tip Brackets	9
Step 2, Install Warming Drawer	9
Custom Panel Accessory Kit Installation.....	10, 11
Professional Style Panel Accessory Kit Installation	12

MODELS AVAILABLE

The warming drawers may be installed directly into a wall or wall oven cabinetry, or below a countertop.

30" Wide Model: ZW9000

27" Wide Model: ZJ7000

FRONT PANEL ACCESSORIES

ZXD30B:

This kit provides for the installation of a custom front panel on 30" models.

NOTE: The original drawer front will be removed and discarded when this kit is used. The tubular handle can be reinstalled onto the custom panel with longer screws (not provided). Or, the original handle can be replaced with a custom handle of your choice. (Handle is not supplied.) Choose a custom handle to match or complement cabinetry hardware.

For more Accessories or purchasing information please refer to Assistance/Accessories section of Monogram Warming Drawer Owner's Manual.

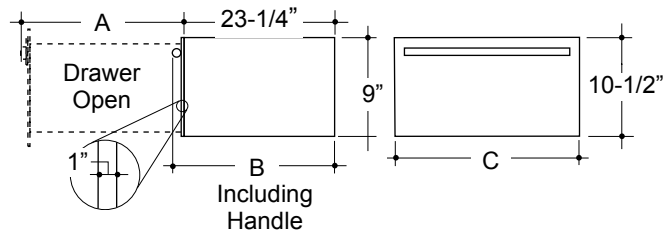
ZXD9030P:

This kit provides for the installation of a stainless steel professional style door with handle for 30" models.

NOTE: The ZXD9030P professional drawer panel with handle is a one-piece assembly that replaces the original drawer front and tubular handle. The original tubular handle (or a custom handle) cannot be installed onto this professional drawer panel. This ZXD9030P accessory is designed to fit 30" warming drawers manufactured after January 2015.

Design Information

PRODUCT DIMENSIONS AND CLEARANCES



Models	Dimensions		
	A	B	C
ZW9000	22"	26"	30"
ZW9000 w/ ZXD9030P	23-1/4"	27-1/2"	30"
ZJ7000	22"	26-3/4"	27"
ZW9000 w/ZXD30B	Diminsions. to be determined by panel and handle		30"

Design Information

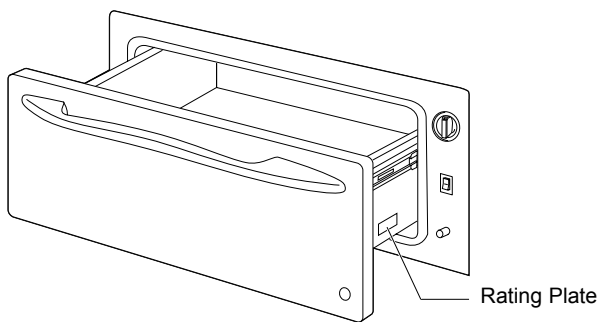
GROUNDING THE APPLIANCE

Please read carefully.

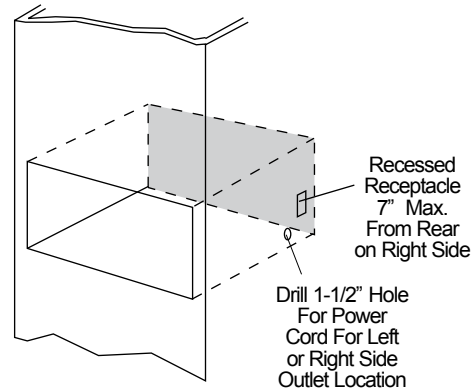
Do not use an extension cord or adapter plug with this appliance. Follow National electrical codes or prevailing local codes and ordinances.

This warming drawer must be supplied with 120V, 60Hz, and connected to an individual, properly grounded branch circuit, and protected by a 15 or 20 amp circuit breaker or time delay fuse.

- A properly grounded 3-prong receptacle should be located within reach of the drawers' 56" long power cord.



- Locate the receptacle in an adjacent cabinet.
 - within 42" of the right side or,
 - within 16" of the left side or,
 - A recessed receptacle may be located on the right side of the cutout, 7" from the back of the cabinet. In this location, the excess power cord should be coiled and taped to the right side of the unit.
- When two warming drawers are installed side to side, they can operate from the same receptacle.



Please read carefully.

The power cord of this appliance is equipped with a 3-prong (grounding) plug that mates with a standard 3-prong grounding wall receptacle to minimize the possibility of electric shock. The customer should have the wall receptacle and circuit checked by a qualified electrician to make sure the receptacle is properly grounded and has the correct polarity.

- Where a standard 2-prong wall receptacle is encountered, it is the personal responsibility and obligation of the customer to have it replaced with a properly grounded 3-prong wall receptacle.

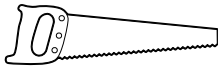
Do not, under any circumstances, cut or remove the third (ground) prong from the power cord.

DO NOT USE AN EXTENSION CORD WITH THIS APPLIANCE.

FOLLOW NATIONAL ELECTRICAL CODES AND ORDINANCES

Installation Preparation

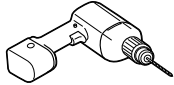
TOOLS REQUIRED



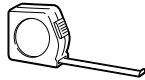
Hand Saw



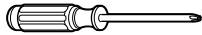
Safety Glasses



Drill and
1/16" Bit



Measuring Tape



Phillips Screwdriver



Level



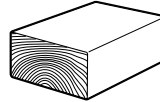
Cut Resistant Gloves

MATERIALS REQUIRED (provided)

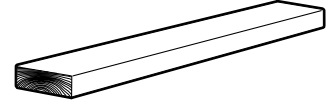


4 Wood Screws

MATERIALS REQUIRED (not provided)



2x2 or 2x4
Wood Block
for Anti-Tip
Security



2x2 or 2x4
Lumber for
Runners



Adhesive or other hardware
for installing runners or shelf to
support warmer drawer

Runners must be level, rigidly mounted and capable of supporting 150 pounds.

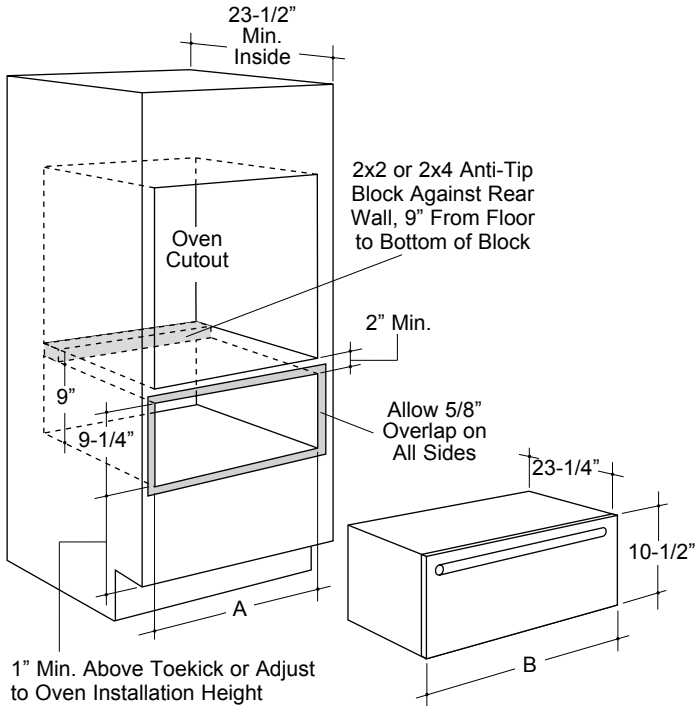
REMOVE PACKAGING

Place Warming Drawer on carton or protective pad to prevent damage to drawer front or finished flooring.

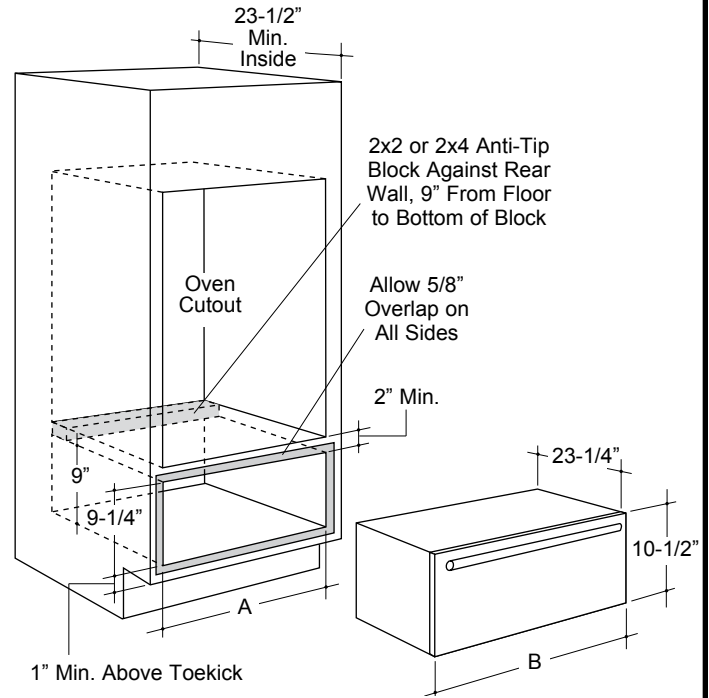
Installation Preparation

INSTALLATION OPTIONS

Installation Below a Single Oven



Installation Below a Double Oven



Models	Dimensions	
	A	B
ZW9000	28-1/2"	30"
ZJ7000	25-1/2"	26-3/4"

NOTE: Additional clearance between cutouts may be required. Check to be sure that oven supports above the Warming Drawer location does not obstruct the required interior 23-1/2" depth and 9-1/4" height.

When installed under a wall oven:

Warming drawers are approved for installation below only certain specified wall oven models. See the label attached to the top of the warming drawer for approved models.

- When installed, the front face of the drawer will be nearly flush with adjacent cabinetry doors.
- Drawer overlaps will conceal cut edges on all sides of the opening.

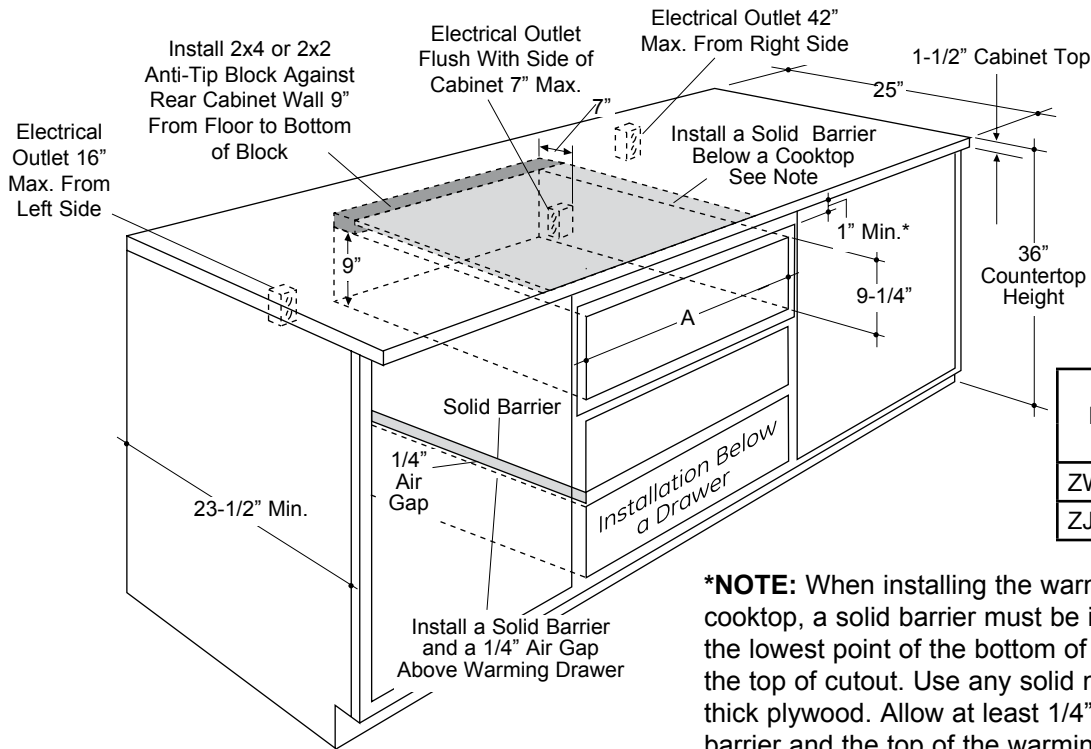
The rough opening for the drawer must be:

- Depth: 23-1/2" min. from inside back to front of cabinet frame.
- Width: 25-1/2" for 27" wide models, 28-1/2" for 30" wide models.
- Height: 9-1/4".
- Allow 2" min. between oven and drawer cutouts for clearance of overlaps.

NOTE: If you are installing in frameless cabinets, it may be necessary to install 1/2" wide cleats to accept drawer mounting screws. See drawer for mounting screw locations.

Installation Preparation

INSTALLATION BELOW A COUNTERTOP



Models	Dimensions
	A
ZW9000	28-1/2"
ZJ7000	25-1/2"

***NOTE:** When installing the warming drawer below a cooktop, a solid barrier must be installed at least 1" from the lowest point of the bottom of cooktop burner box to the top of cutout. Use any solid material such as 1/4" thick plywood. Allow at least 1/4" air gap between the barrier and the top of the warming drawer. See label on top of the warming drawer for approved cooktop models.

- When installed, the front face of the drawer will be nearly flush with adjacent cabinetry doors.
- Drawer overlaps will conceal cut edges on all sides of the opening.

The rough opening for the drawer must be:

- Depth: 23-1/2" min. from inside back to front of cabinet frame.
- Width: 25-1/2" for 27" wide models, 28-1/2" for 30" wide models.
- Height: 9-1/4".
- 5" min. above floor or 1" above toekick. 23-1/4" from floor to bottom of cutout is recommended for under countertop installation.

Installation below a cooktop:

Warming drawers are approved for installation below only certain specified cooktop models. See the label attached to the top of the warming drawer for approved models. A solid barrier and air gap between cooktop and warming drawer is required. See NOTE above.

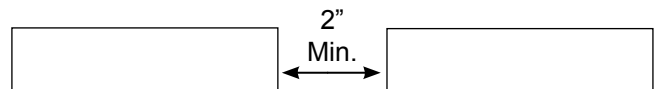
Installation below a cabinet drawer:

The warming drawer may be installed beneath a cabinet drawer. In this installation, a solid barrier should be installed above the warming drawer to block access. Use any solid material such as 1/4" thick plywood. Allow at least 1/4" air gap between the barrier and the top of the warming drawer. Observe the 5" min. above the floor or 1" above the toekick minimum installation height.

NOTE: If you are installing in frameless cabinets, it may be necessary to install 1/2" wide cleats to accept drawer mounting screws. See drawer to find exact locations of mounting screws.

Side to Side Installation:

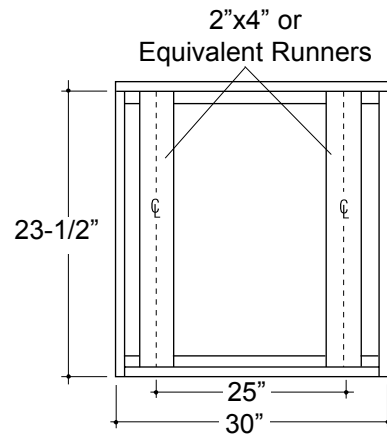
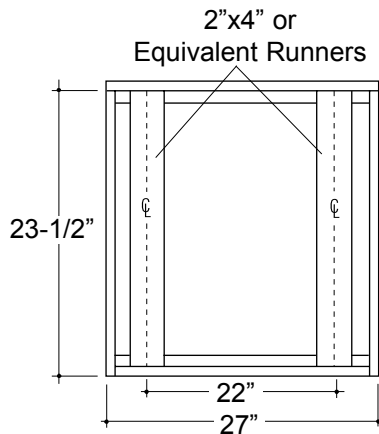
Install two warming drawers in separate cutouts. Allow 2" min. between cutouts.



Side to Side Installation

Installation

PROVIDE CABINET SUPPORT



IMPORTANT: When installed below a single or double oven, check to be sure that any oven supports above the cutout do not obstruct the 23-1/2" required depth of the warming drawer cutout.

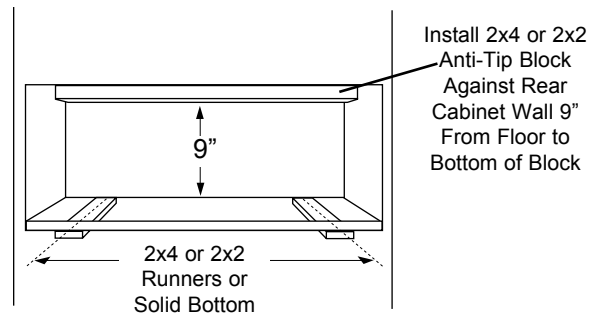
- A 2" min. clearance between oven and warming drawer cutouts are required. Additional clearance may be required if 2 x 4 blocks are used to support runners or solid floor of the oven above.
- The warmer drawer may be supported by either a solid bottom, 2 x 4 or 2 x 2 runners.

- The support must be level and rigidly mounted, flush with the bottom edge of the cutout.
 - There is no way to level the drawer once it has been installed. Be sure supports are level.
- The entire weight of the drawer is supported by the runners or solid floor and must be capable of supporting 150 lbs.

INSTALL ANTI-TIP BRACKETS

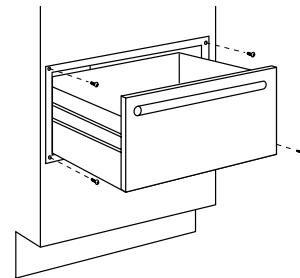
▲ WARNING ANTI-TIP PRECAUTIONS

An anti-tip brace must be installed to prevent the drawer from tipping forward when opened and loaded. Failure to do so could result in personal injury.



INSTALL WARMING DRAWER

- Slide the left corner of the drawer into the opening.
- Push the power cord into the hole leading to the outlet location. Thread the cord through as the drawer is being pushed back into the opening. Check to be sure the power cord does not get trapped under the drawer.
 - If the outlet is installed inside the opening, plug the cord into the outlet. In this location, the excess power cord length should be coiled and taped to the right side of the unit.
- Push the drawer back until the front flange is flush to the cabinet front.



- Open the drawer fully.
- Drill pilot holes through the holes in the overlapping frame, one on each corner.
- Drive the wood screws provided into each corner.

Installation Instructions

WARMING DRAWER CUSTOM PANEL ACCESSORY KIT ZXD30B

For installation of 30" wide warming
drawer custom panel and custom handle.

BEFORE YOU BEGIN

Read these instructions completely and carefully.

- **IMPORTANT** – Save these instructions for local inspector's use.
- **IMPORTANT** – Observe all governing codes and ordinances.
- **Note to Installer** – Be sure to leave these instructions with the consumer.
- **Note to Consumer** – Keep these instructions for future reference.
- **Skill level** – Installation of this custom panel kit requires a qualified installer or service technician.
- Proper installation is the responsibility of the installer.
- Product failure due to improper installation is NOT covered under the warranty.

TOOL AND MATERIALS REQUIRED

- Safety Glasses
- Phillips screwdriver
- Drill and appropriate bits (Brad point recommended for drilling through wood panels)
- Custom panel
- Custom handle (optional)
- Adhesive recommended for metal to wood
- Adhesive recommended for plastic to wood

PARTS SUPPLIED

- Lamp Jewel
- Metal mounting panel
- Bag of #6 size screws

This kit contains a mounting panel to support a trimless custom drawer front up to 3/4" thick. The tubular handle can be reinstalled onto the custom panel with longer screws (not provided). Or, the original handle can be replaced with a custom handle of your choice. (Handle is not supplied.) Choose a custom handle to match or complement cabinetry hardware.

IMPORTANT: The warming drawer should be installed according to the installation instructions packed with the product. The original drawer front will be removed and replaced with a custom panel.

- Cut edges of the drawer panel will be seen and must be finished for best appearance.

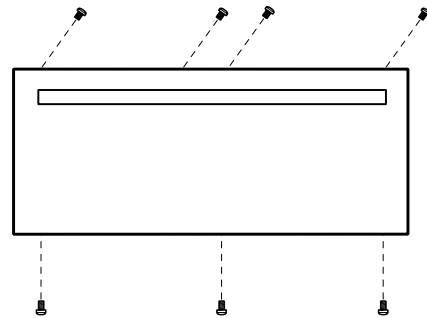
- The custom drawer front panel, both raised and flat design, should be constructed in the same manner as typical cabinet doors.
- Order the custom drawer panel from the cabinet manufacturer. Be sure to provide the exact dimensions so that the panel is constructed accurately.
- Order the optional custom handle to complement or match surrounding cabinetry handles.

STEP 1 PREPARE DRAWER FOR PANEL INSTALLATION

- Open the drawer fully.
- Turn the warming drawer off.

STEP 2 REMOVE ORIGINAL DRAWER FRONT

- Remove seven #8 screws. Remove four from top inside and three from bottom. Set these screws aside – they are no longer needed.
- Support the drawer front as you remove screws to prevent the possibility of falling.



STEP 3 PREPARE CUSTOM PANEL

- The custom panel size is determined by the cabinetry dimensions and spacings.
- Once the custom panel size is determined, place the metal panel on the custom panel and check the squareness and correct placement of the metal panel, and mark the hole for the indicator light. Confirm that the hole marking provides the indicator light to the right side of the custom panel appearance side.
- Drill a 5/16" hole. A Brad point drill bit is recommended.

Installation

STEP 4 SECURE CUSTOM PANEL TO METAL MOUNTING PANEL

- Lay the custom panel, appearance side down, on a clean surface.
- Remove all tape and packing material from the metal panel.
- Place the flat side of the metal panel onto the back side of the custom panel, with the mounting flanges facing up.
- Align the lamp hole in the panel with the mounting panel.
- Confirm squareness and correct position of the metal panel to the custom panel.

STEP 5 FOR PANELS LESS THAN 3/4" THICK

- Separate the custom panel and metal panel.
- Apply a few horizontal beads of adhesive to the metal panel. Avoid adhesive within 1" of lamp hole area and outer edges.

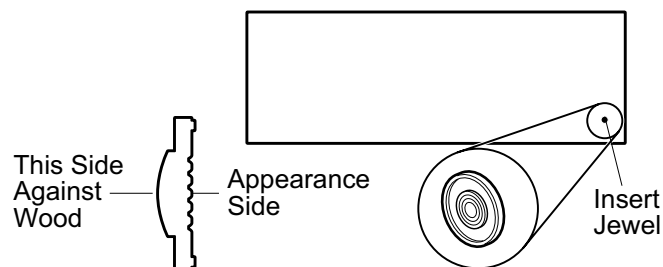
STEP 5A FOR PANELS MORE THAN 3/4" THICK

- Separate the custom panel and metal panel.
- Use the metal panel as a template. Position the metal panel over the back side of the custom panel and drill pilot holes. Drill pilot holes sized to match screws being used (screws not provided).

NOTE: Select screw length carefully to avoid penetration of the finished side.

STEP 6 INSTALL LAMP JEWEL

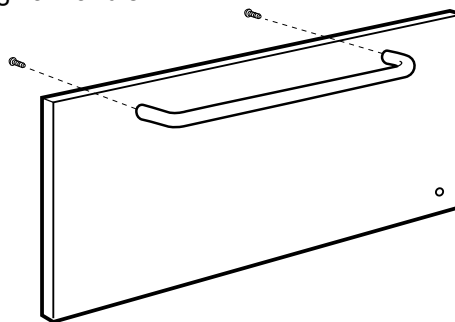
- Turn the assembly appearance side up.
- Use plastic to wood adhesive to secure the lamp jewel to the front of the wood panel. On the side with the bulge, (see illustration) apply a small bead of adhesive around the outside edge. Place the jewel into the drilled hole.



STEP 7 REINSTALL ORIGINAL HANDLE OR OPTIONAL CUSTOM HANDLE

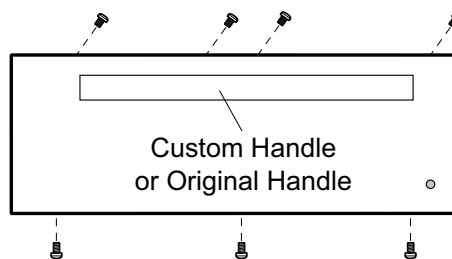
- A custom handle (not supplied) may be installed.
- Drill pilot holes through the front of the custom panel and through the metal panel to match the chosen handle.

NOTE: The handle screws should be installed through the metal panel, the custom panel and into the custom or original handle.



STEP 8 INSTALL ASSEMBLED PANEL TO THE DRAWER

- Determine which holes in the metal panel line up with the holes in the exposed drawer front and marked the screw hole locations onto the custom panel.
- Drill 1/8" deep holes into the custom panel for clearance to the #6 screws. The #6 screws will extend into the custom panel slightly.
- Using the #6 screws supplied in the bag, install the custom panel assembly to the exposed drawer front with seven screws.
- The original #8 screws are not needed.



NOTE: Product improvement is a continuing endeavor at General Electric. Therefore, materials, appearance and specifications are subject to change without notice.

Installation Instructions

PROFESSIONAL STYLE PANEL ACCESSORY KIT ZXD9030P

BEFORE YOU BEGIN

Read these instructions completely and carefully.

- **IMPORTANT** — Save these instructions for local inspector's use. Observe all governing codes and ordinances.
- **Note to Installer** – Be sure to leave these instructions with the Consumer.
- **Note to Consumer** – Keep these instructions for future reference.

TOOL AND MATERIALS REQUIRED

- Phillips screwdriver

PARTS SUPPLIED

Stainless Steel Professional Style Drawer Accessory

This kit contains a stainless steel professional style panel with a handle and a lamp jewel imbedded in the bottom right side. Install the warming drawer according to the installation instructions packed with the product.

NOTE: The ZXD9030P professional drawer panel with handle is a one-piece assembly that replaces the original drawer front and tubular handle. The original tubular handle (or a custom handle) cannot be installed onto this professional drawer panel. This ZXD9030P accessory is designed to fit 30" warming drawers manufactured after January 2015.

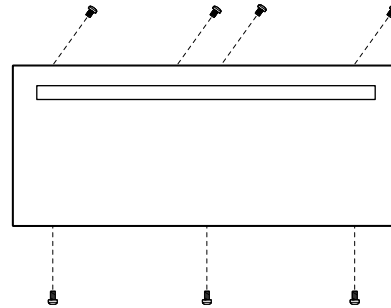
STEP 1 PREPARE DRAWER FOR PANEL INSTALLATION

IMPORTANT: The drawer must be installed into the cabinet before opening the drawer.

- Open the drawer approximately halfway.
- Turn the warming drawer to "OFF."

STEP 2 REMOVE ORIGINAL DRAWER FRONT

- Remove the three screws from the bottom of the drawer edge.
- Remove the four screws on the inside of the drawer at the top. Retain all screws.
 - Support the drawer front as you remove screws to prevent the front panel from falling.



STEP 3 REMOVE THE PACKAGING

- Open the carton and remove the panel. Remove all protective covering on both sides.

CAUTION Keep all plastic material away from babies and small children. Plastic could pose a choking or suffocation hazard.

STEP 4 INSTALL PANEL ONTO DRAWER

- Install the panel assembly to the exposed drawer front using the original 7 screws.

Notes

Notes

Notes

NOTE: While performing installations described in this book, safety glasses or goggles should be worn.

For Monogram® local service in your area, call 1.800.444.1845.

NOTE: Product improvement is a continuing endeavor at General Electric. Therefore, materials, appearance and specifications are subject to change without notice.



INSTRUCTIONS D'INSTALLATION

ZJ7000 et ZW9000
Tiroir-réchaud électrique

MONOGRAM

Informations de sécurité

AVANT DE COMMENCER

Lisez attentivement toutes ces instructions.

■ **IMPORTANT** – Conservez ces instructions pour l'inspecteur local.

■ **IMPORTANT** – Respectez tous les codes et règlements en vigueur.

■ **Remarque destinée à l'installateur** – Assurez-vous de laisser ces instructions au consommateur.

■ **Remarque destinée au consommateur** – Conservez ces instructions avec votre Manuel de l'utilisateur pour vous y reporter ultérieurement.

■ **Durée de l'installation** – 1 à 3 heures

■ L'installateur est responsable de la qualité de l'installation. La panne du produit due à une mauvaise installation n'est pas couverte par la garantie. Consultez le Manuel de l'utilisateur pour des informations sur la garantie.

■ Cet appareil ne doit uniquement être utilisé qu'aux fins prévues.

■ Renseignez-vous auprès des services publics locaux pour savoir quels sont les codes électriques applicables dans votre région. Les codes locaux peuvent varier. L'installation, les connexions électriques et la mise à la terre doivent se conformer aux codes applicables. En l'absence de codes locaux, le tiroir doit être installé conformément au Code national de l'électricité ANSI/NFPA 70-1990 ou à la dernière édition.

⚠ AVERTISSEMENT

■ Cet appareil doit être correctement mis à la terre. Reportez-vous à « Mise à la terre de l'appareil ».

■ Assurez-vous que le cordon d'alimentation n'entre pas en contact avec la surface chaude sous les fours, surfaces de cuisson ou autres électroménagers.

■ Si vous avez reçu un tiroir-réchaud endommagé, contactez immédiatement votre détaillant.

Pour le service Monogram dans votre région, appelez le 1-800-444-1845 ou visitez monogram.com.

Pour le service Monogram au Canada, appelez le 1-800-561-3344.

Pour les pièces et accessoires Monogram, appelez le 1-800-626-2002.

⚠ AVERTISSEMENT

Un dispositif antibasculement doit être installé afin d'empêcher le tiroir de basculer vers l'avant lorsqu'il est ouvert et chargé. Dans le cas contraire, vous vous exposeriez à des blessures graves.

Information de conception

TABLE DES MATIÈRES

Information de conception

Modèles disponibles.....	3
Accessoires.....	3
Dimensions du produit.....	4
Mise à la terre de l'appareil.....	5

Préparatifs avant l'installation

Outils et matériel nécessaires.....	6
Retirer l'emballage.....	6
Options d'installation.....	7
Installation sous un comptoir.....	8
Fournir un support pour l'armoire.....	9

Instructions d'installation

Étape 1 : Supports antibasculement.....	9
Étape 2 : Installation du tiroir-réchaud.....	9
Installation de la trousse d'accessoires de panneau personnalisé.....	10, 11
Installation de la trousse d'accessoires de panneau de style professionnel.....	12

MODÈLES DISPONIBLES

Les tiroirs-réchauds peuvent être installés directement dans un mur ou une armoire de four encastré ou sous un comptoir.

Modèle de 30 po de largeur : ZW9000

Modèle de 27 po de largeur : ZJ7000

ACCESSOIRES DE PANNEAU AVANT

ZXD30B :

Cette trousse permet l'installation d'un panneau avant personnalisé pour les modèles de 30 po.

REMARQUE : Le devant de tiroir d'origine doit être enlevé et jeté si cette trousse est utilisée. La poignée tubulaire peut être réinstallée sur le panneau personnalisé en utilisant des vis plus longues (non fournies). D'autre part, la poignée d'origine peut être remplacée par une poignée de votre choix. (La poignée n'est pas fournie.) Choisissez une poignée personnalisée correspondant au style d'armoires utilisé.

Pour d'autres accessoires ou des informations d'achat, veuillez consulter la section sur l'aide et les accessoires du Manuel de l'utilisateur du tiroir-réchaud Monogram.

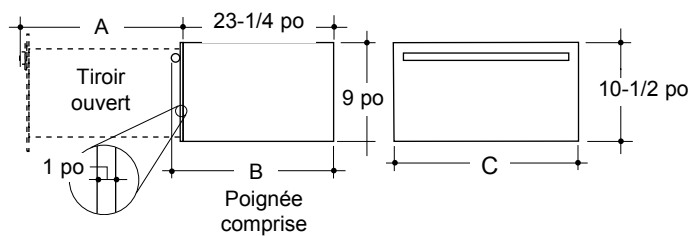
ZXD9030P :

Cette trousse permet l'installation d'un panneau avant en acier inoxydable de style professionnel pour les modèles de 30 po.

REMARQUE : Le panneau de tiroir professionnel ZXD9030P avec poignée est un ensemble monopiece qui remplace le devant de tiroir et la poignée tubulaire d'origine. La poignée tubulaire d'origine (ou une poignée personnalisée) ne peut pas être installée sur le panneau de tiroir professionnel. Cet accessoire ZXD9030P est conçu pour les tiroirs-réchauds de 30 po fabriqués après janvier 2015.

Information de conception

DIMENSIONS DU PRODUIT ET DÉGAGEMENTS



Modèles	Dimensions		
	A	B	C
ZW9000	22 po	26 po	30 po
ZW9000 avec ZXD9030P	23-1/4 po	27-1/2 po	30 po
ZJ7000	22 po	26-3/4 po	27 po
ZW9000 avec ZXD30B	À déterminer selon le panneau et la poignée		30 po

Information de conception

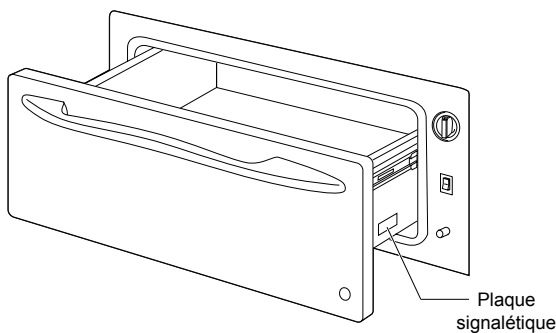
MISE À LA TERRE DE L'APPAREIL

Veillez lire attentivement.

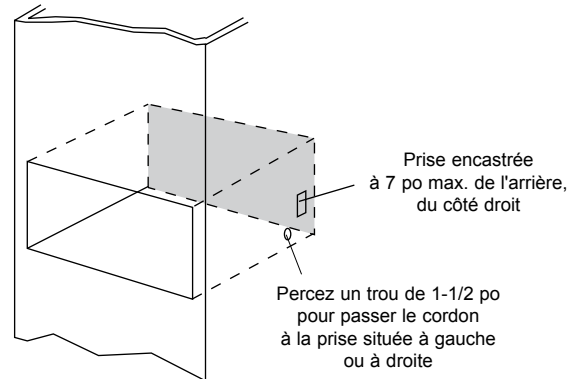
N'utilisez pas de rallonge ni de fiche adaptatrice avec cet appareil. Observez le Code national de l'électricité ou la réglementation et les exigences locales en vigueur.

Ce tiroir-réchaud est conçu pour une alimentation électrique de 120 V et 60 Hz, et doit être branché à un circuit de dérivation individuel correctement mis à la terre et protégé par un disjoncteur de 15 ou 20 ampères ou par un fusible temporisé.

- Une prise à 3 alvéoles correctement mise à la terre doit être placée à portée du cordon d'alimentation de 56 po de long du tiroir.



- Placez la prise dans une armoire adjacente
 - à moins de 42 po du côté droit; ou
 - à moins de 16 po du côté gauche; ou
 - une prise encastrée peut être placée du côté droit de la découpe, à 7 po de l'arrière de l'armoire. Dans cette situation, l'excédent de cordon doit être enroulé et fixé au côté droit de l'appareil avec du ruban adhésif.
- Si deux tiroirs-réchauds sont installés côte à côte, ils peuvent être branchés à la même prise.



Veillez lire attentivement.

Pour diminuer les risques d'électrocution, le cordon d'alimentation de cet appareil est muni d'une fiche à 3 broches (mise à la terre) qui correspond à une prise murale à 3 alvéoles (prise mise à la terre). Le client doit s'adresser à un électricien qualifié qui vérifiera la prise murale et le circuit électrique pour s'assurer que la prise murale est correctement mise à la terre et correctement polarisée.

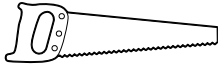
- Si la prise murale est du type standard à 2 alvéoles, il incombe au client de la faire remplacer par une prise à 3 alvéoles correctement mise à la terre.

Ne coupez et ne retirez en aucun cas la troisième broche (mise à la terre) de la fiche du cordon d'alimentation.

**N'UTILISEZ PAS DE RALLONGE AVEC CET APPAREIL.
RESPECTEZ LES CODES NATIONAUX DE L'ÉLECTRICITÉ
ET LES RÈGLEMENTS.**

Préparatifs avant l'installation

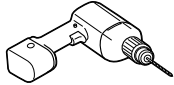
OUTILS NÉCESSAIRES



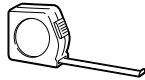
Scie à main



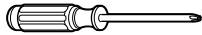
Lunettes de sécurité



Perceuse et
mèche de 1/16 po



Ruban à mesurer



Tournevis Phillips



Niveau



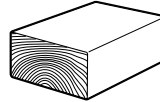
Gants résistants aux coupures

MATÉRIEL REQUIS (fourni)

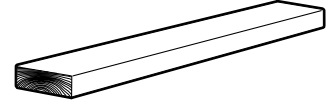


4 vis à bois

MATÉRIEL REQUIS (non fourni)



Bloc de bois
de 2x2 ou 2x4
comme sécurité
antibasculement



Pièce de bois
de 2x2 ou 2x4
comme coulisseau



Adhésif ou autre quincaillerie pour
l'installation de coulisseaux ou de tablette
pour supporter le tiroir-réchaud

Les coulisseaux doivent être de niveau, solidement fixés et capables de supporter un poids de 150 lb.

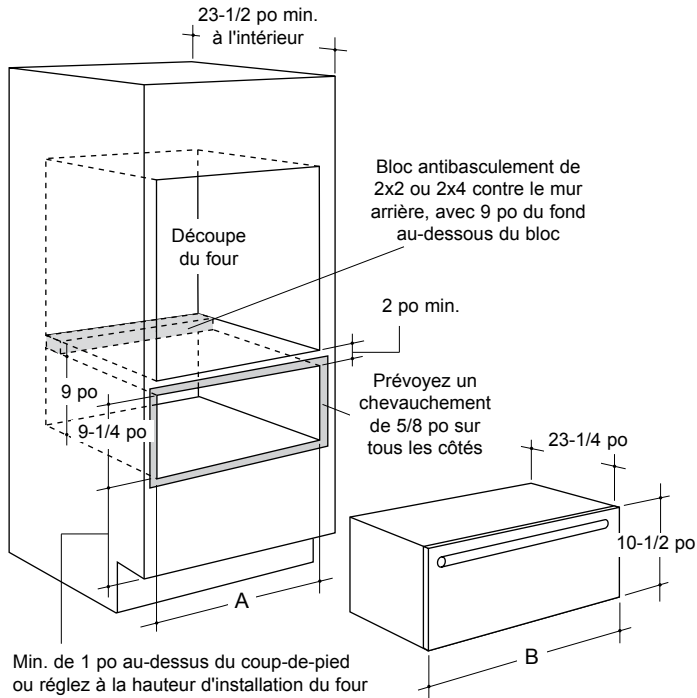
RETIRER L'EMBALLAGE

Placez le tiroir-réchaud sur un morceau de carton ou une surface protectrice pour éviter d'endommager l'avant du tiroir ou le plancher fini.

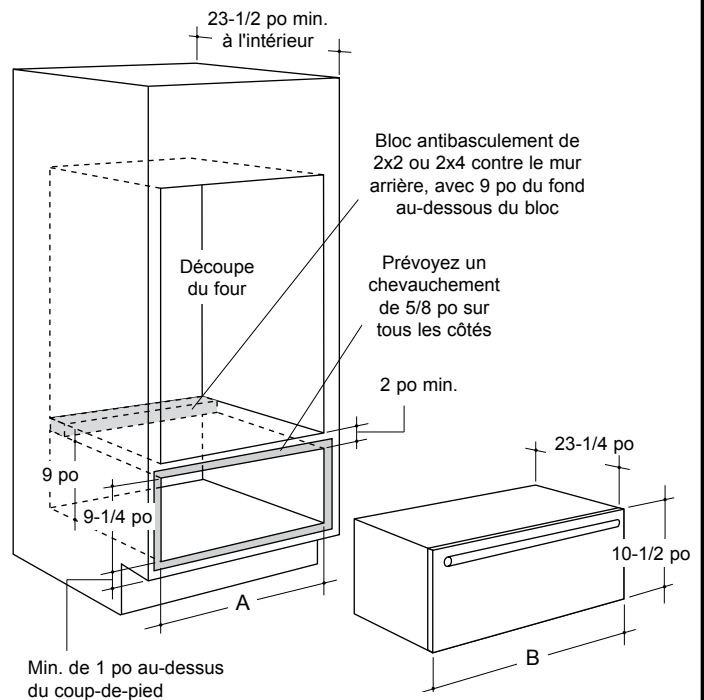
Préparatifs avant l'installation

OPTIONS D'INSTALLATION

Installation sous un four simple



Installation sous un four double



Modèles	Dimensions	
	A	B
ZW9000	28-1/2 po	30 po
ZJ7000	25-1/2 po	26-3/4 po

REMARQUE : Un dégagement supplémentaire peut être requis entre les découpes. Assurez-vous que les supports de four au-dessus du tiroir-réchaud n'obstruent pas les dégagements de profondeur de 23-1/2 po et de hauteur de 9-1/4 po requis à l'intérieur.

Installation sous un four encastré :

Les tiroirs-réchauds sont approuvés pour l'installation sous certains modèles de four encastré. Consultez l'étiquette sur le dessus du tiroir-réchaud pour connaître les modèles approuvés.

- Une fois le tiroir installé, la face avant du tiroir doit pratiquement affleurer les portes d'armoires adjacentes.
- Le chevauchement du tiroir camouflera tous les bords découpés de l'ouverture.

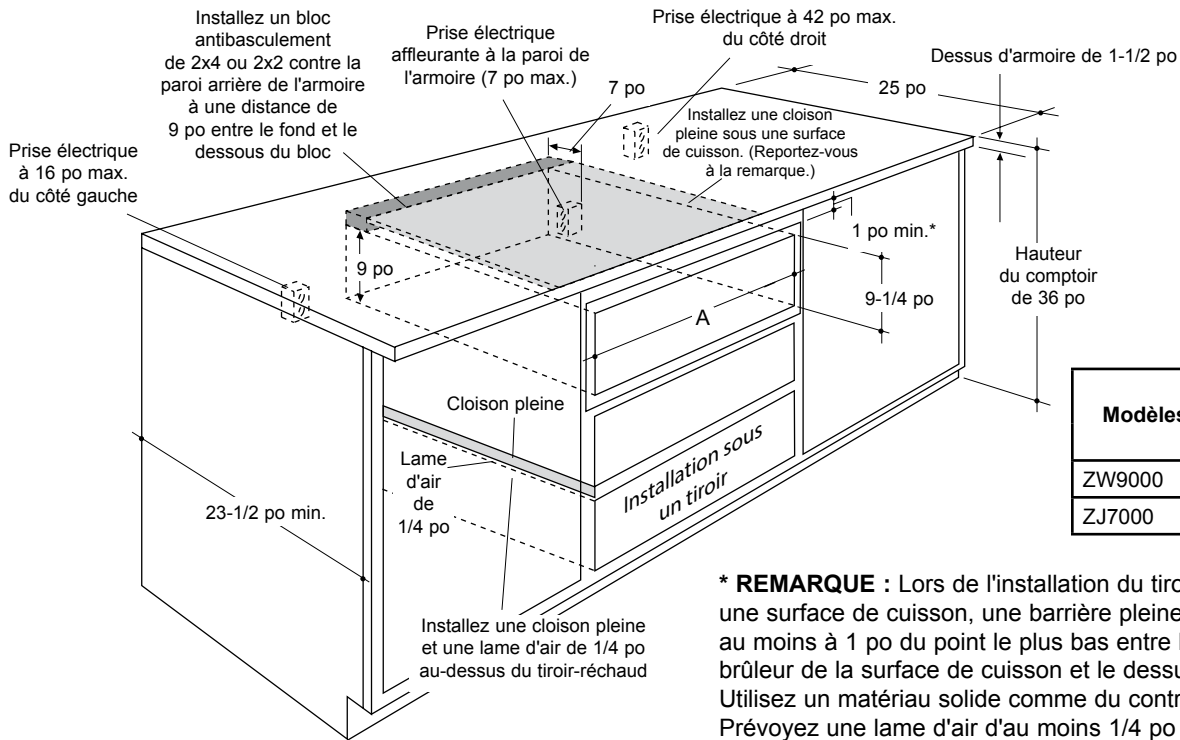
La découpe grossière pour le tiroir doit mesurer :

- Profondeur : Un minimum de 23-1/2 po du fond à l'avant du cadre de l'armoire.
- Largeur : 25-1/2 po pour les modèles de 27 po de largeur, 28-1/2 po pour les modèles de 30 po de largeur.
- Hauteur : 9-1/4 po
- Prévoyez un minimum de 2 po entre la découpe du four et celle du tiroir pour dégager les chevauchements.

REMARQUE : Si vous faites l'installation dans des armoires sans cadre, il peut être nécessaire de poser des taquets de 1/2 po de largeur afin de pouvoir poser les vis de montage du tiroir. Reportez-vous au tiroir pour trouver l'emplacement des vis de montage.

Préparatifs avant l'installation

INSTALLATION SOUS UN COMPTOIR



■ Une fois le tiroir installé, la face avant du tiroir doit pratiquement affleurer les portes d'armoires adjacentes.

■ Le chevauchement du tiroir camouflera tous les bords découpés de l'ouverture.

La découpe grossière pour le tiroir doit mesurer :

- Profondeur : Un minimum de 23-1/2 po du fond à l'avant du cadre de l'armoire.
- Largeur : 25-1/2 po pour les modèles de 27 po de largeur, 28-1/2 po pour les modèles de 30 po de largeur.
- Hauteur : 9-1/4 po

■ Minimum de 5 po au-dessus du plancher ou de 1 po au-dessus du coup-de-pied. Une hauteur de 23-1/4 po du plancher au fond de la découpe est recommandée pour l'installation sous un comptoir.

Installation sous une surface de cuisson :

Les tiroirs-réchauds sont approuvés pour l'installation sous certains modèles de surface de cuisson. Consultez l'étiquette sur le dessus du tiroir-réchaud pour connaître les modèles approuvés. Une cloison pleine et une lame d'air sont requises entre la surface de cuisson et le tiroir-réchaud. Reportez-vous à la REMARQUE ci-dessus.

*** REMARQUE :** Lors de l'installation du tiroir-réchaud sous une surface de cuisson, une barrière pleine doit être installée à au moins à 1 po du point le plus bas entre le bas du boîtier de brûleur de la surface de cuisson et le dessus de la découpe. Utilisez un matériau solide comme du contreplaqué de 1/4 po. Prévoyez une lame d'air d'au moins 1/4 po entre la cloison et le dessus du tiroir-réchaud. Reportez-vous à l'étiquette située sur le dessus du tiroir-réchaud pour les modèles de surface de cuisson approuvés.

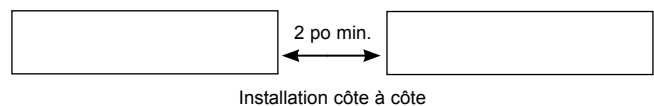
Installation sous un tiroir d'armoire :

Le tiroir-réchaud peut être installé sous un tiroir d'armoire. Dans cette installation, une cloison pleine doit être installée au-dessus du tiroir-réchaud afin d'interdire l'accès. Utilisez un matériau solide comme du contreplaqué de 1/4 po. Prévoyez une lame d'air d'au moins 1/4 po entre la cloison et le dessus du tiroir-réchaud. Respectez une hauteur minimum de 5 po au-dessus du plancher ou 1 po au-dessus du coup-de-pied.

REMARQUE : Si vous faites l'installation dans des armoires sans cadre, il peut être nécessaire de poser des taquets de 1/2 po de largeur afin de pouvoir poser les vis de montage du tiroir. Reportez-vous au tiroir pour trouver l'emplacement exact des vis de montage.

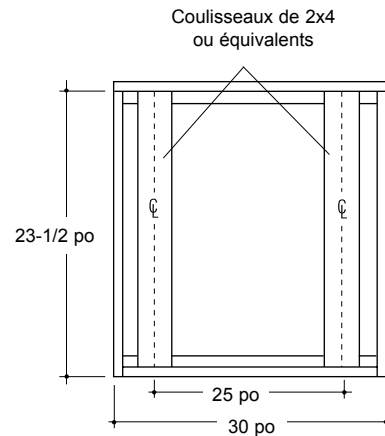
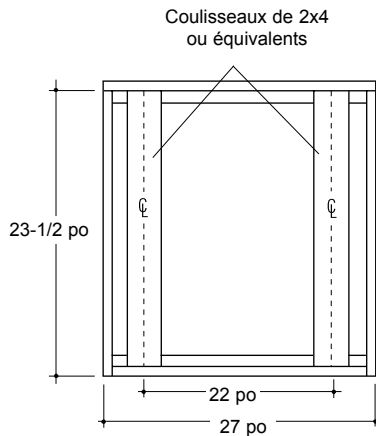
Installation côte à côte :

Installez les deux tiroirs-réchauds dans des découpes distinctes. Prévoyez un minimum de 2 po entre les découpes.



Installation

FOURNIR UN SUPPORT POUR L'ARMOIRE



IMPORTANT : Lors de l'installation sous un four simple ou double, assurez-vous que les supports de four au-dessus du tiroir-réchaud n'obstruent pas les dégagements de profondeur de 23-1/2 po requis dans la découpe du tiroir-réchaud.

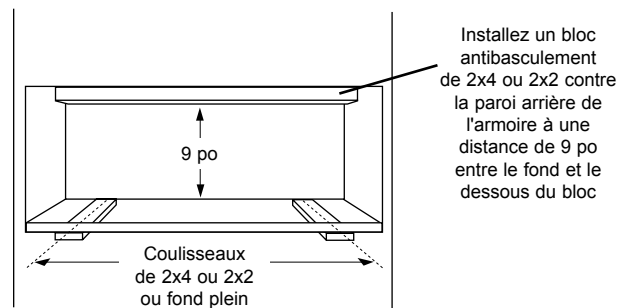
- Un dégagement minimal de 2 po est requis entre les découpes du four et du tiroir-réchaud. Un dégagement supplémentaire peut être requis si des blocs de 2x4 sont utilisés pour soutenir les coulisseaux ou le fond plein du four.
- Le tiroir-réchaud peut être supporté par un fond plein ou des coulisseaux en 2x4 ou 2x2.

- Le support doit être de niveau, solidement fixé et affleurant avec le bord inférieur de la découpe.
 - Il est impossible de niveler le tiroir après son installation. Les supports doivent être de niveau.
- Tout le poids du tiroir est supporté par les coulisseaux ou le fond plein et ils doivent pouvoir supporter 150 lb.

INSTALLATION DES SUPPORTS ANTIBASCULEMENT

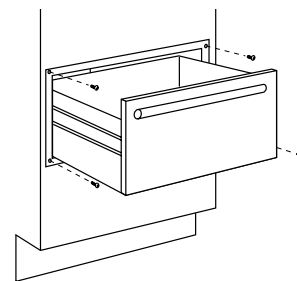
⚠ AVERTISSEMENT PRÉCAUTIONS ANTIBASCULEMENT

Un dispositif antibasculement doit être installé afin d'empêcher le tiroir de basculer vers l'avant lorsqu'il est ouvert et chargé. Dans le cas contraire, vous vous exposeriez à des blessures graves.



INSTALLATION DU TIROIR-RÉCHAUD

- Glissez le coin gauche du tiroir dans l'ouverture.
- Enfilez le cordon d'alimentation dans le trou menant à la prise électrique. Enfilez le cordon à mesure que vous poussez le tiroir dans l'ouverture. Vérifiez que le cordon ne se coince pas sous le tiroir.
 - Si la prise est à l'intérieur de l'ouverture, branchez le cordon à la prise. Dans cette situation, l'excédent de cordon doit être enroulé et fixé au côté droit de l'appareil avec du ruban adhésif.
- Poussez le tiroir dans l'ouverture jusqu'à ce que le rebord avant s'appuie contre la paroi avant de l'armoire.



- Ouvrez le tiroir complètement.
- Percez des avant-trous en passant le foret par les trous dans chaque coin du cadre chevauchant.
- Posez les vis à bois dans chaque coin.

Instructions d'installation

TROUSSE D'ACCESSOIRES DE PANNEAU PERSONNALISÉ DE TIROIR-RÉCHAUD

ZXD30B

Pour l'installation du panneau et la poignée
personnalisés du tiroir-réchaud de 30 po.

AVANT DE COMMENCER

Lisez attentivement toutes ces instructions.

- **IMPORTANT** – Conservez ces instructions pour l'inspecteur local.
- **IMPORTANT** – Respectez tous les codes et règlements en vigueur.
- **Remarque destinée à l'installateur** – Assurez-vous de laisser ces instructions au consommateur.
- **Remarque destinée au consommateur** – Conservez ces instructions pour vous y reporter ultérieurement.
- **Niveau de compétence** – L'installation de cette trousse d'accessoires de panneau personnalisé doit être effectuée par un installateur ou un technicien qualifiés.
- L'installateur est responsable de la qualité de l'installation.
- Les défaillances du produit dues à une mauvaise installation ne sont PAS couvertes par la garantie.

OUTILS ET MATÉRIEL NÉCESSAIRES

- Lunettes de sécurité
- Tournevis Phillips
- Perceuse et forets appropriés (mèches à pointe de centrage recommandée pour percer les panneaux en bois)
- Panneau personnalisé
- Poignée personnalisée (facultative)
- Adhésif recommandé pour coller le métal au bois
- Adhésif recommandé pour coller le plastique au bois

PIÈCES FOURNIES

- Lentille de voyant
- Panneau de montage en métal
- Sachet de vis n° 6

Cette trousse contient un panneau de montage pour les devants de tiroir personnalisés sans garniture jusqu'à 3/4 po d'épaisseur. La poignée tubulaire peut être réinstallée sur le panneau personnalisé en utilisant des vis plus longues (non fournies). D'autre part, la poignée d'origine peut être remplacée par une poignée de votre choix. (La poignée n'est pas fournie.) Choisissez une poignée personnalisée correspondant au style d'armoires utilisé.

IMPORTANT : Le tiroir-réchaud doit être installé conformément aux instructions d'installation incluses avec le produit. Le devant de tiroir d'origine sera enlevé et remplacé par un panneau personnalisé.

- Les rebords du panneau de tiroir seront visibles et doivent être finis afin d'obtenir une meilleure apparence.

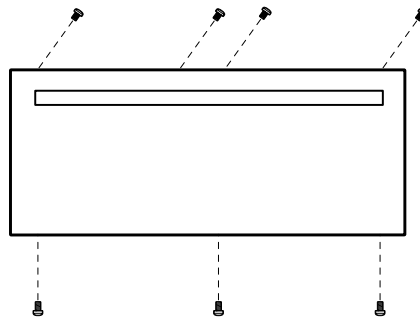
- Le panneau avant personnalisé du tiroir, en relief ou plat, doit être construit de la même manière qu'une porte d'armoire typique.
- Commandez le panneau de tiroir personnalisé du fabricant des armoires. Veuillez fournir les dimensions exactes afin que le panneau soit construit de manière précise.
- Commandez la poignée personnalisée pour coordonner avec les autres poignées d'armoires.

ÉTAPE 1 PRÉPARER LE TIROIR POUR L'INSTALLATION DU PANNEAU

- Ouvrez le tiroir complètement.
- Éteignez le tiroir-réchaud.

ÉTAPE 2 ENLEVER LE DEVANT DE TIROIR D'ORIGINE

- Enlevez les sept vis n° 8. Enlevez les quatre de l'intérieur dans le haut et les trois du bas. Mettez ces vis de côté, elles ne sont pas réutilisées.
– Soutenez le devant du tiroir lorsque vous enlevez les vis afin d'éviter qu'il tombe.



ÉTAPE 3 PRÉPARER LE PANNEAU PERSONNALISÉ

- La taille du panneau personnalisé est déterminée par les dimensions et l'espacement des armoires.
- Une fois la taille du panneau personnalisé établie, placez le panneau en métal sur le panneau personnalisé et vérifiez qu'il est d'équerre et bien placé, puis marquez le trou du voyant. Confirmez que l'emplacement marqué du trou correspond au voyant du côté droit de la face visible du panneau personnalisé.
- Percez un trou de 5/16 po. Une mèche à pointe de centrage est recommandée.

1 po = 2,5 cm; 1 pi = 0,3 m

Installation

ÉTAPE 4 FIXER LE PANNEAU PERSONNALISÉ AU PANNEAU DE MONTAGE EN MÉTAL

- Posez le panneau personnalisé, face visible vers le bas, sur une surface propre.
- Retirez tout le ruban et le matériel d'emballage du panneau en métal.
- Placez le côté plat du panneau en métal sur le dos du panneau personnalisé avec les brides de montage orientées vers le haut.
- Alignez le trou du voyant dans le panneau avec celui du panneau de montage.
- Confirmez que le panneau en métal est d'équerre et correctement placé sur le panneau personnalisé.

ÉTAPE 5 POUR LES PANNEAUX DE MOINS DE 3/4 po D'ÉPAISSEUR

- Séparez le panneau personnalisé et le panneau en métal.
- Posez quelques cordons d'adhésif sur le panneau en métal. Évitez de mettre de l'adhésif à moins de 1 po du trou du voyant et des bords extérieurs.

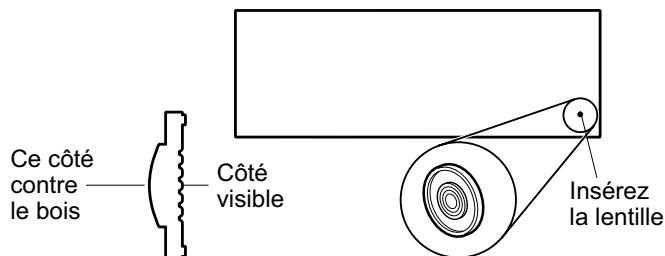
ÉTAPE 5A POUR LES PANNEAUX DE PLUS DE 3/4 po D'ÉPAISSEUR

- Séparez le panneau personnalisé et le panneau en métal.
- Utilisez le panneau en métal comme gabarit. Placez le panneau en métal sur le dos du panneau personnalisé et percez des avant-trous. Les avant-trous doivent correspondre aux vis utilisées (non fournies).

REMARQUE : Sélectionnez soigneusement la longueur des vis afin d'éviter de pénétrer le côté fini.

ÉTAPE 6 INSTALLER LA LENTILLE DE VOYANT

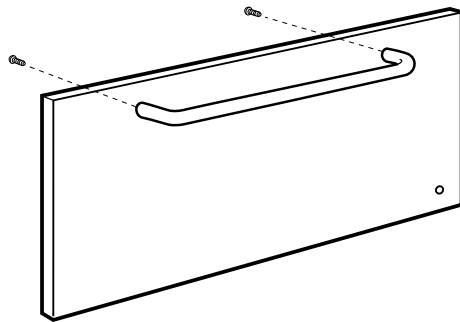
- Tournez l'ensemble avec la face visible vers le haut.
- Utilisez l'adhésif pour le plastique au bois pour fixer la lentille de voyant sur le devant du panneau en bois. Sur le côté avec la saillie (voir l'illustration), appliquez un petit cordon d'adhésif sur le rebord extérieur. Placez la lentille dans le trou percé.



ÉTAPE 7 RÉINSTALLER LA POIGNÉE D'ORIGINE OU LA POIGNÉE PERSONNALISÉE

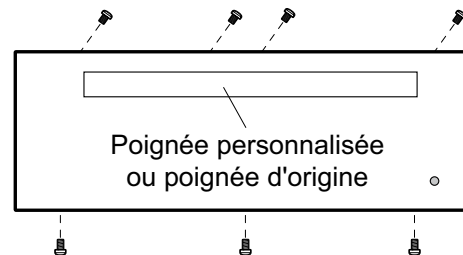
- Une poignée personnalisée (non fournie) peut être installée.
- Percez des avant-trous dans le devant du panneau personnalisé et à travers le panneau en métal correspondant à la poignée choisie.

REMARQUE : Les vis de la poignée doivent être posées à travers le panneau en métal et le panneau personnalisé dans la poignée personnalisée ou celle d'origine.



ÉTAPE 8 INSTALLER LE PANNEAU ASSEMBLÉ SUR LE TIROIR

- Déterminez quels trous du panneau en métal s'alignent avec ceux du devant de tiroir exposé et marquez les trous de vis sur le panneau personnalisé.
- Percez des trous de 1/8 po de profondeur pour les vis n° 6. Les vis n° 6 s'enfonceront légèrement dans le panneau personnalisé.
- En utilisant les vis n° 6 fournies dans le sachet, installez l'ensemble de panneau personnalisé sur le devant de tiroir exposé avec sept vis.
- Les vis n° 8 d'origine ne sont pas nécessaires.



REMARQUE : L'amélioration des produits est un effort continu chez General Electric. Par conséquent, les matériaux, l'apparence et les spécifications peuvent être modifiés sans préavis.

Instructions d'installation

TROUSSE D'ACCESSOIRES DE PANNEAU DE STYLE PROFESSIONNEL

ZXD9030P

AVANT DE COMMENCER

Lisez attentivement toutes ces instructions.

- **IMPORTANT** — Conservez ces instructions pour l'inspecteur local. Respectez tous les codes et règlements en vigueur.
- **Remarque destinée à l'installateur** – Assurez-vous de laisser ces instructions au consommateur.
- **Remarque destinée au consommateur** – Conservez ces instructions pour vous y reporter ultérieurement.

OUTILS ET MATÉRIEL NÉCESSAIRES

- Tournevis Phillips

PIÈCES FOURNIES

Accessoire de tiroir en acier inoxydable de style professionnel

Cette trousse contient un panneau en acier inoxydable de style professionnel avec une poignée et une lentille de voyant intégré au bas du côté droit. Installez le tiroir-réchaud conformément aux instructions d'installation fournies avec le produit.

REMARQUE : Le panneau de tiroir professionnel ZXD9030P avec poignée est un ensemble monopièce qui remplace le devant de tiroir et la poignée tubulaire d'origine. La poignée tubulaire d'origine (ou une poignée personnalisée) ne peut pas être installée sur le panneau de tiroir professionnel. Cet accessoire ZXD9030P est conçu pour les tiroirs-réchauds de 30 po fabriqués après janvier 2015.

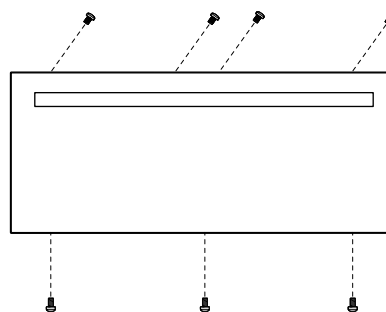
ÉTAPE 1 PRÉPARER LE TIROIR POUR L'INSTALLATION DU PANNEAU

IMPORTANT : Le tiroir doit être installé dans l'armoire avant de pouvoir ouvrir le tiroir.

- Ouvrez le tiroir environ à mi-chemin.
- Éteignez le tiroir-réchaud.

ÉTAPE 2 ENLEVER LE DEVANT DE TIROIR D'ORIGINE

- Retirez les trois vis du bord inférieur du tiroir.
- Retirez les quatre vis de l'intérieur du tiroir dans le haut. Conservez toutes les vis.
- Soutenez le devant du tiroir lorsque vous enlevez les vis afin d'éviter que le panneau avant ne tombe.



ÉTAPE 3 RETIRER L'EMBALLAGE

- Ouvrez la boîte et sortez le panneau. Enlevez le revêtement protecteur des deux côtés.

ATTENTION Gardez tout le plastique à l'écart des bébés et des petits enfants. Le plastique peut poser un risque d'étouffement ou de suffocation.

ÉTAPE 4 INSTALLER LE PANNEAU SUR LE TIROIR

- Installez l'ensemble de panneau sur le devant de tiroir exposé avec les 7 vis d'origine.

Notes

Notes

Notes

REMARQUE : Lors de la procédure d'installation décrite dans ce manuel, il est recommandé de porter des lunettes de sécurité.

Pour le service Monogram® dans votre région, appelez le 1-800-444-1845.

REMARQUE : L'amélioration des produits est un effort continu chez General Electric. Par conséquent, les matériaux, l'apparence et les spécifications peuvent être modifiés sans préavis.

